

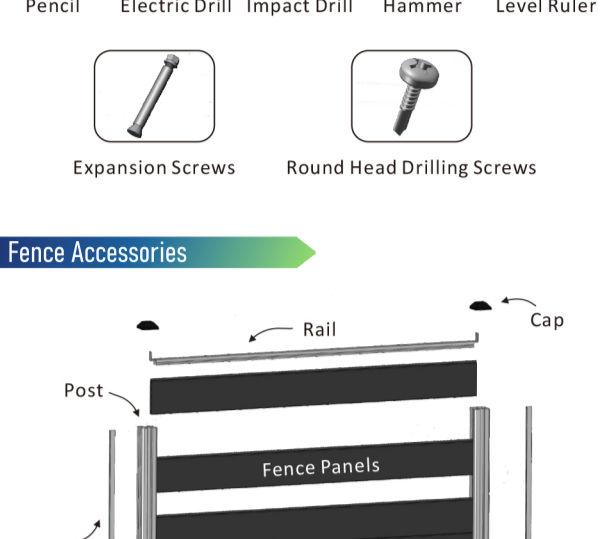
WPC FENCE

Installation Guide

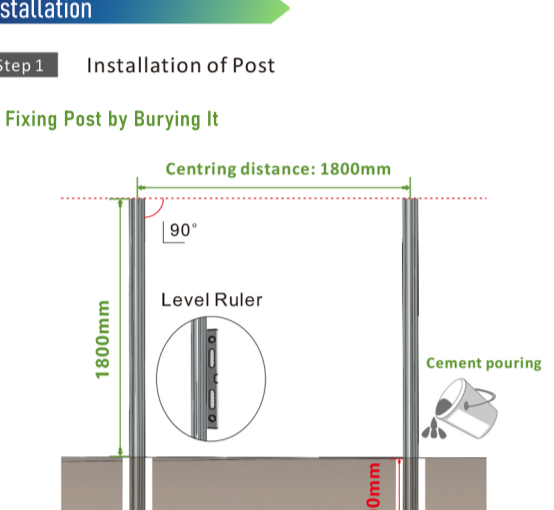
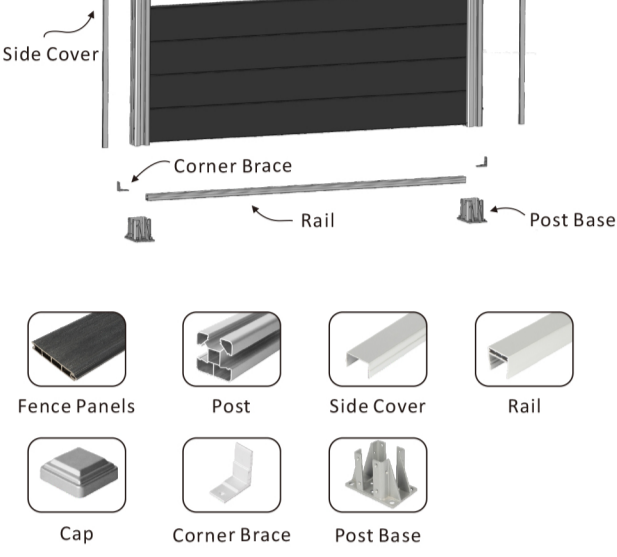
<https://heritancefencing.com.au/>



Tools & Hardware



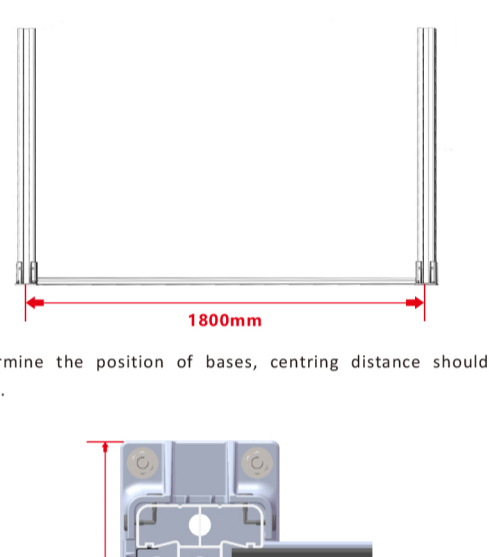
Fence Accessories



Installation

Step 1 Installation of Post

A. Fixing Post by Burying It

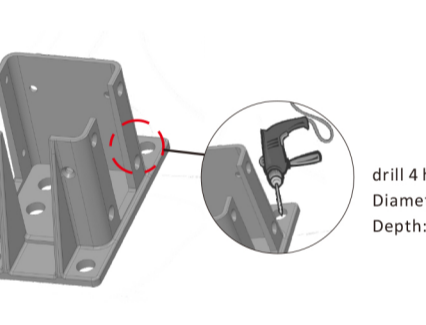


1. Determine the position of two posts (centring distance 1800mm), drill a hole of 600mm depth, then put post into it and keep it vertical.

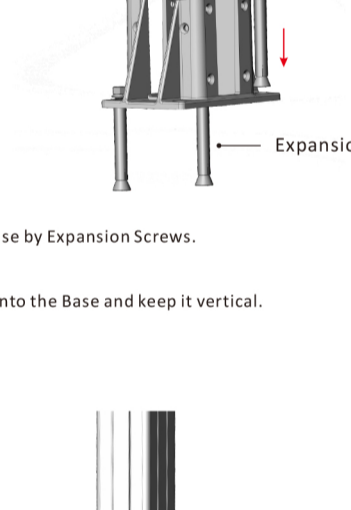
Measure Posts' verticality by Lever Ruler.

Continuing the remaining installation please see the same as the step at below step 2 to step 6.

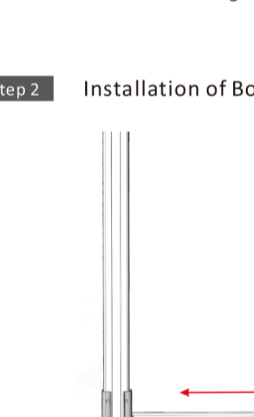
B. Fixing Post by using Post Base



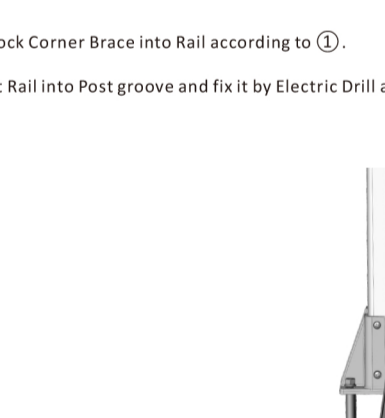
1. Determine the position of bases, centring distance should be 1800mm.



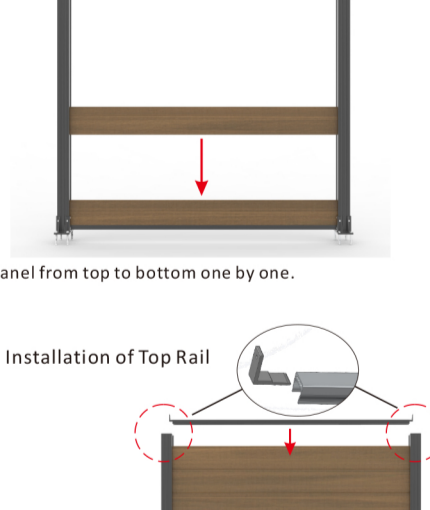
2. Suggested Base direction: The 100mm side be parallel to fence panels. The 160mm side be perpendicular to fence panels.



3. Mark corresponding place of holes in the ground by pencil.

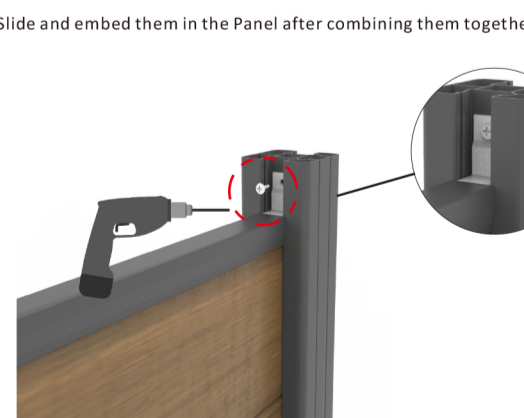


4. Put aside the Base, then drill 4 holes by Impact Drill. Diameter: 12mm; Depth: 60mm



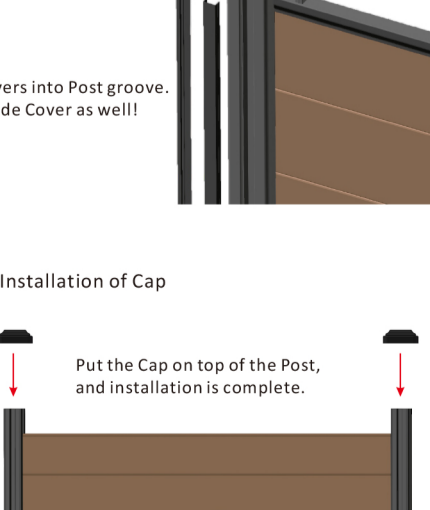
5. Fix the Base by Expansion Screws.

6. Put Post into the Base and keep it vertical.



7. Use Electric Drill to fix Drilling Screws. Note: 8 Drilling Screws in total.

Step 2 Installation of Bottom Rail



1. Knock Corner Brace into Rail according to ①.

2. Put Rail into Post groove and fix it by Electric Drill and Drilling Screws.

3. Fix the other side as the above.

Step 3 Installation of Fence Panels

1. Slide the panel from top to bottom one by one.

Step 4 Installation of Top Rail

1. Notice the direction of Corner Brace, knock them in to the Rail.

2. Slide and embed them in the Panel after combining them together.

3. Drill the Drilling Screws into the Post.

4. Fix the other side in the same way.

Step 5 Installation of Side Cover

Slide Side Covers into Post groove. Note: Put Inside Cover as well!

Step 6 Installation of Cap

Put the Cap on top of the Post, and installation is complete.